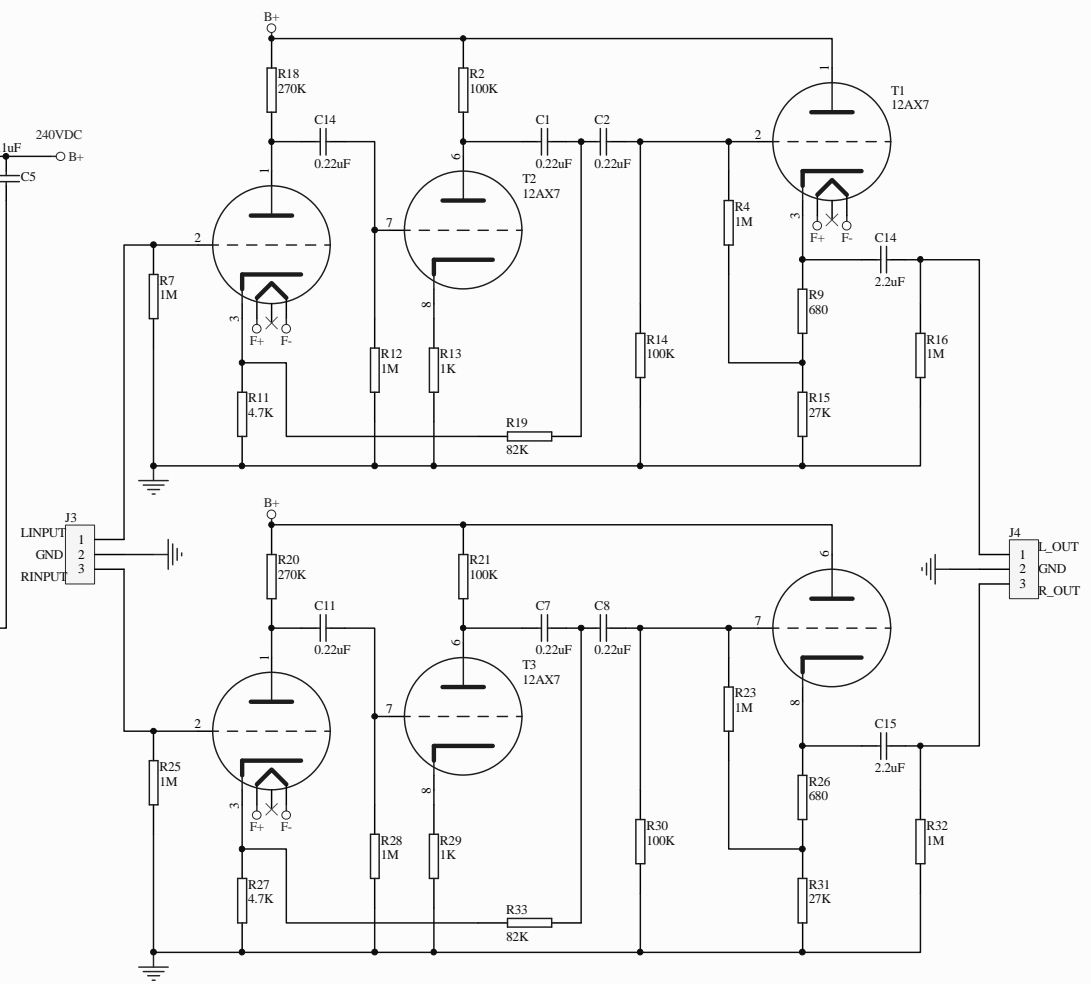
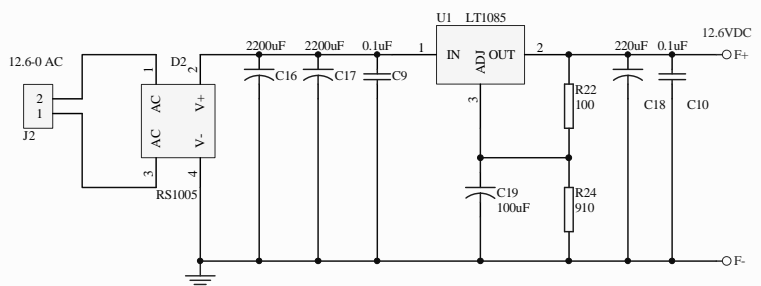
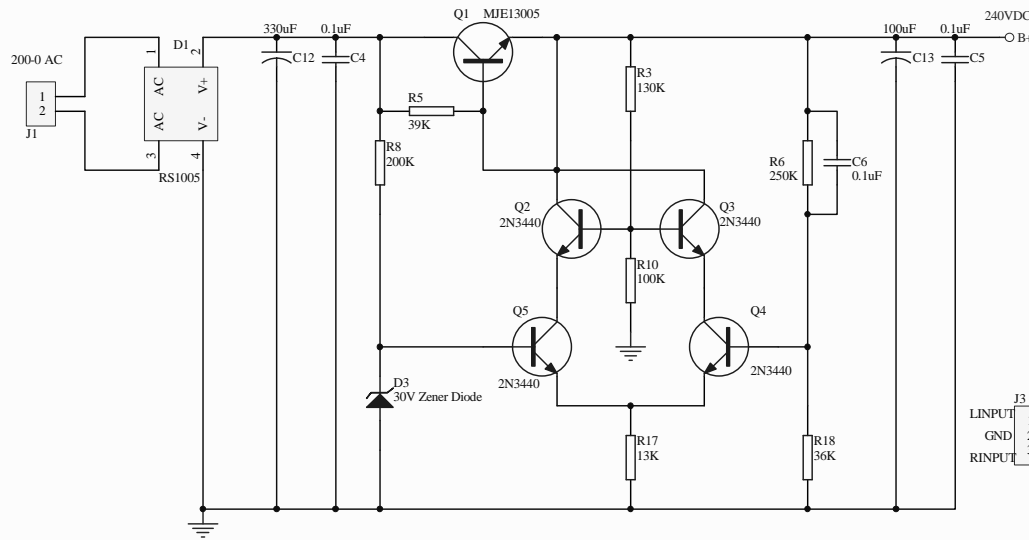


M7C Pre-Amplifier

Analog Metric



Title		
Size	Number	Revision
B		
Date:	21/6/2011	Sheet of
File:	C:\Users\...M7C Schematic.SchDoc	Drawn By: