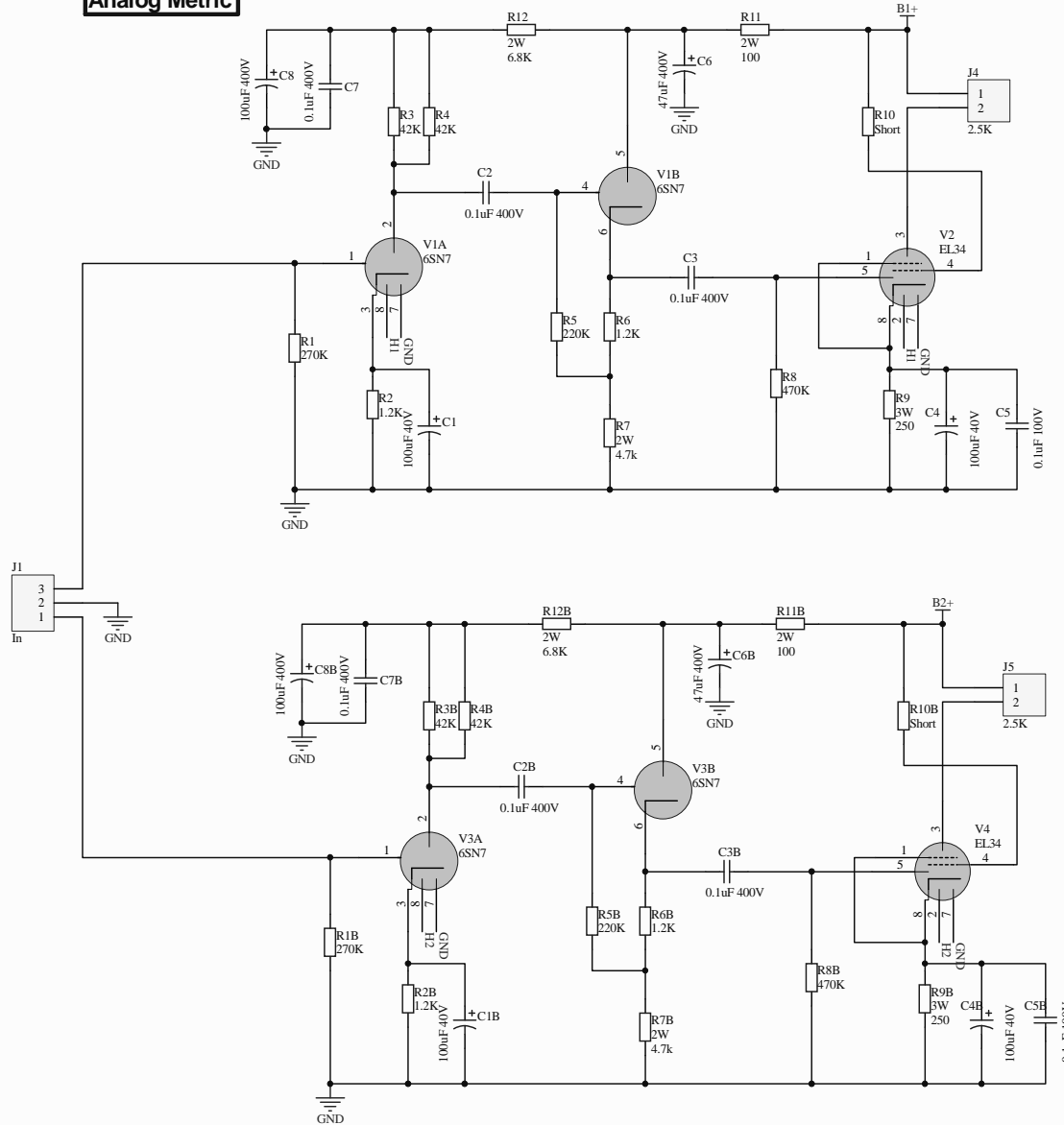
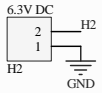
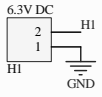
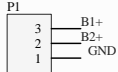


EL34 SE V Tube Amplifier

Analog Metric

Power Supply
 PIN 1: 280V DC
 PIN 2: 0
 PIN 3: 280V DC



Title		
Size	Number	Revision
B		
Date:	21/3/2012	Sheet of
File:	C:\AnalogMetric\EL34 SE E2.SchDoc	Drawn By: