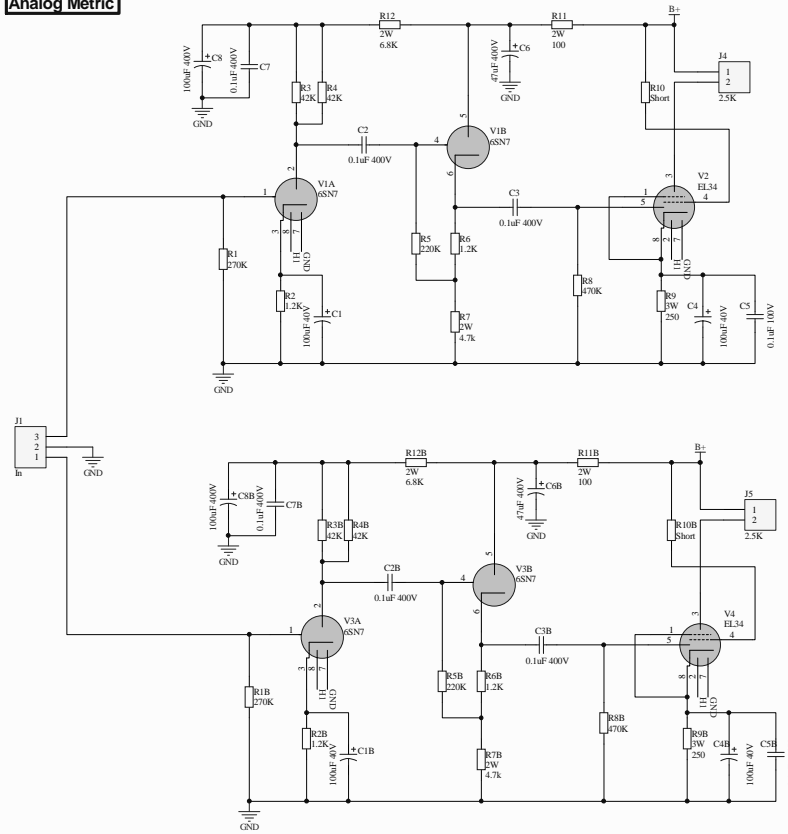
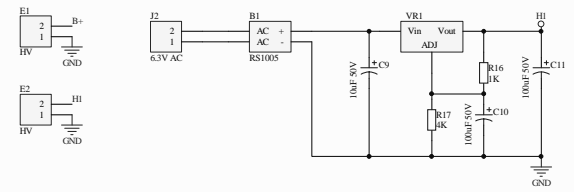
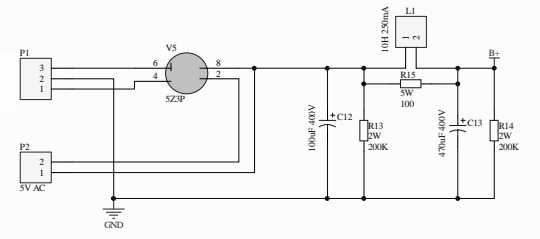


# EL34 SE II Amplifier

Analog Metric



Power Supply  
 PIN 1: 500V AC  
 PIN 2: 0  
 PIN 3: 200V AC



Title		
Size	Number	Revision
C		
Date:	1/9/2011	Sheet of
File:	C:\Analog\Metric\EL34 SE E2.SchDoc	Drawn By: