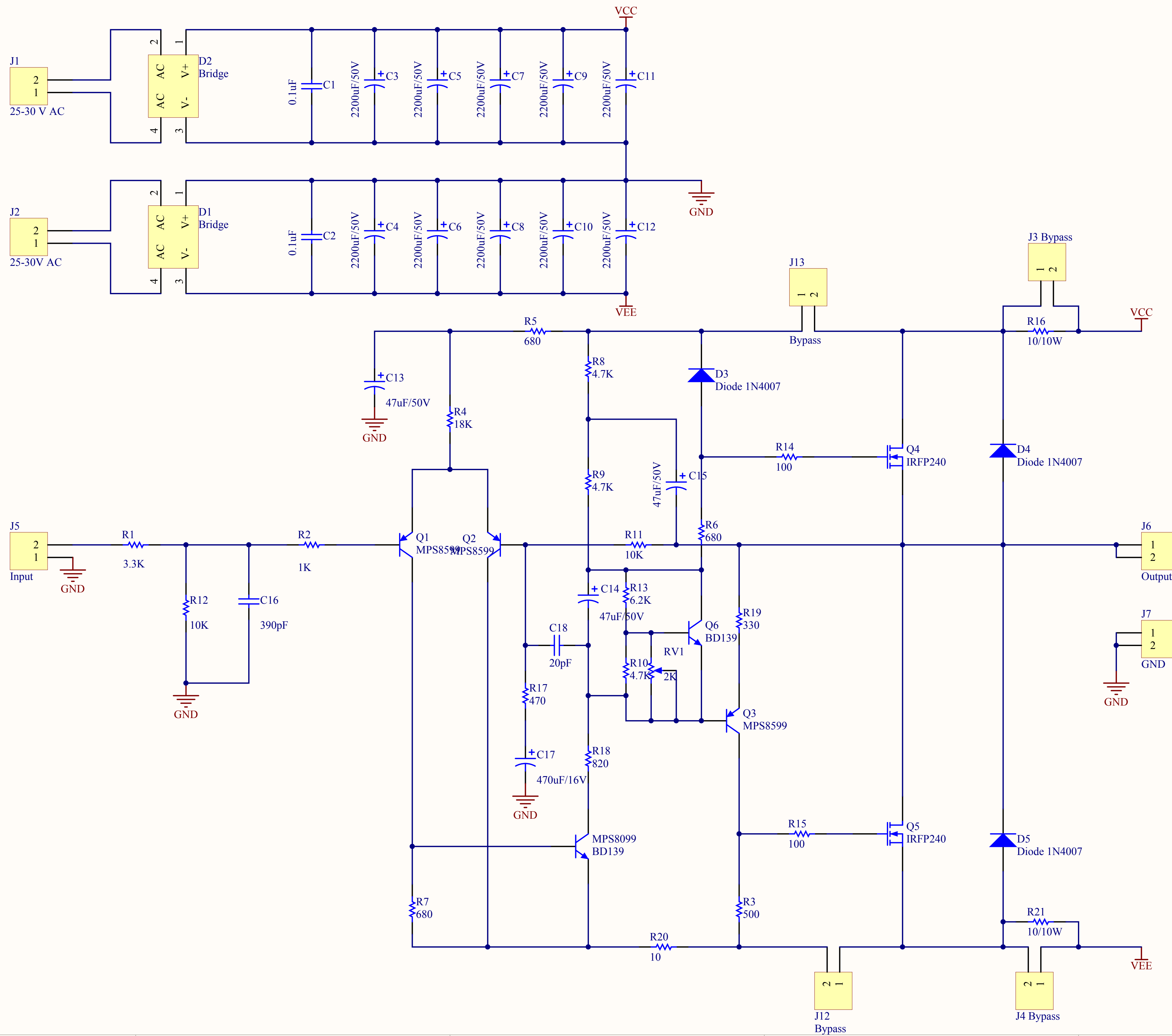


AnalogMetric New Citation 12 ref Harmon-Kardon (2 Channels)



Title		
Size	Number	Revision
B		
Date:	12/30/2008	Sheet of
File:	C:\Documents and Settings\...\citation12.Sch Drawn By:	