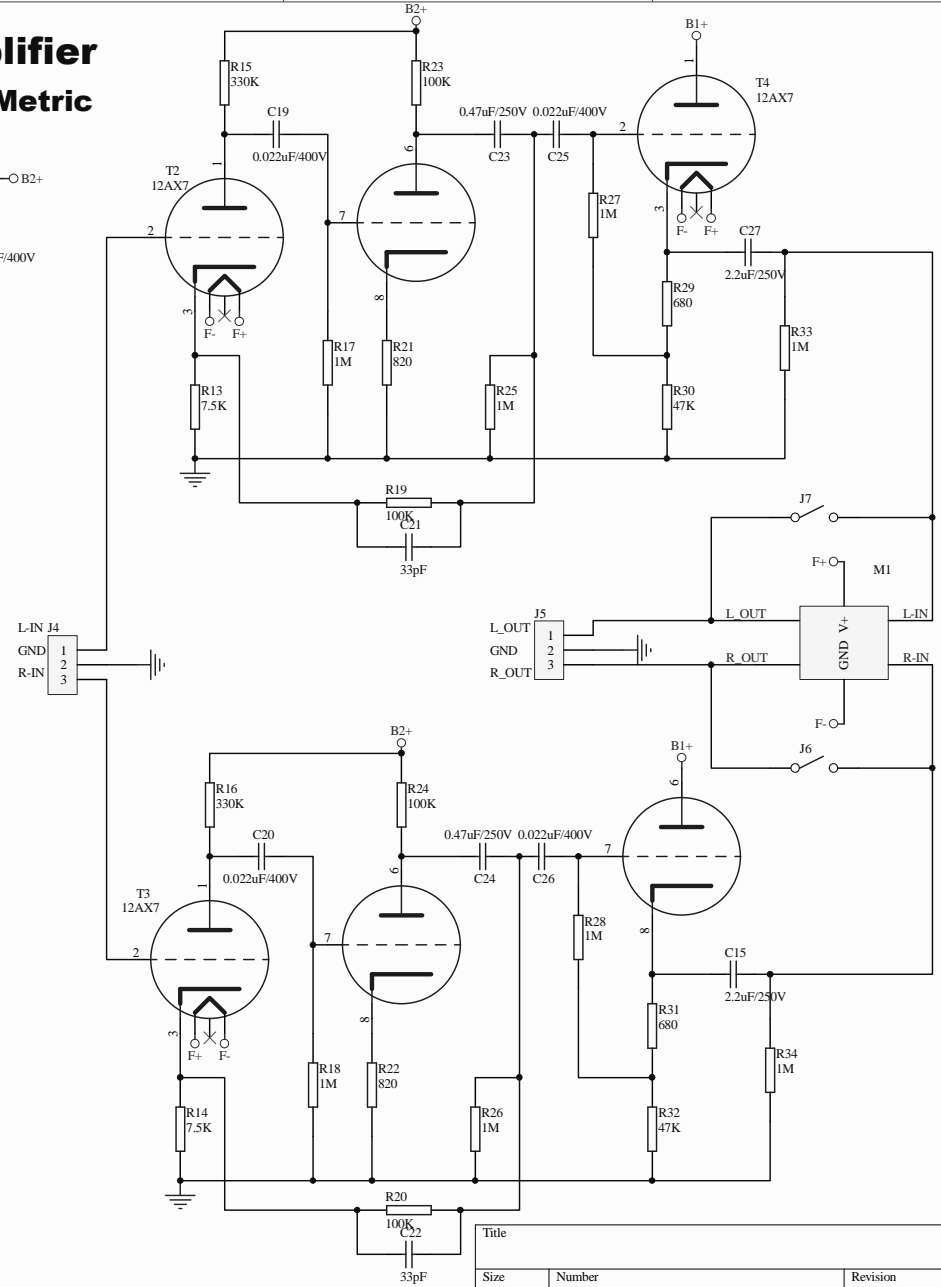
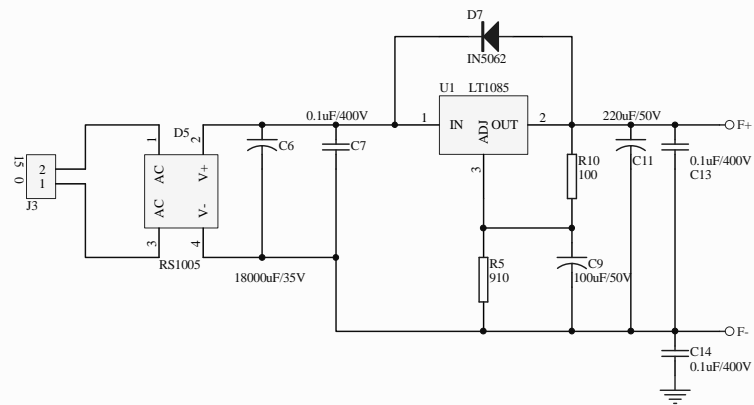
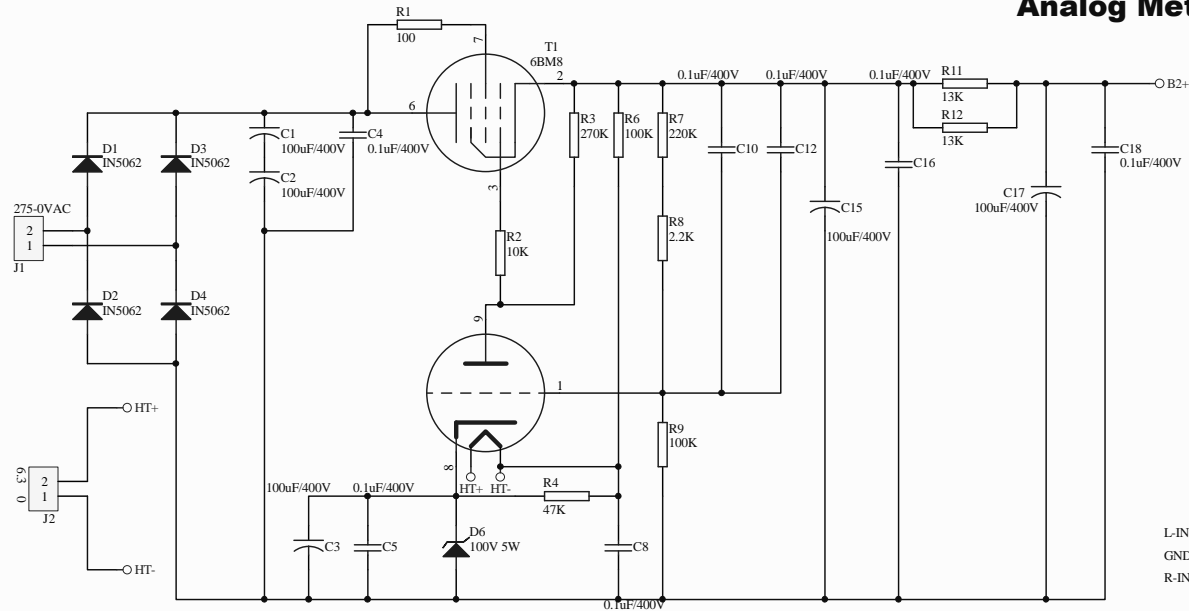


C22 Pre-Amplifier Analog Metric



Title		
Size B	Number	Revision
Date: 21/6/2011		Sheet of
File: C:\Users\...C22 Schematic.SchDoc		Drawn By: