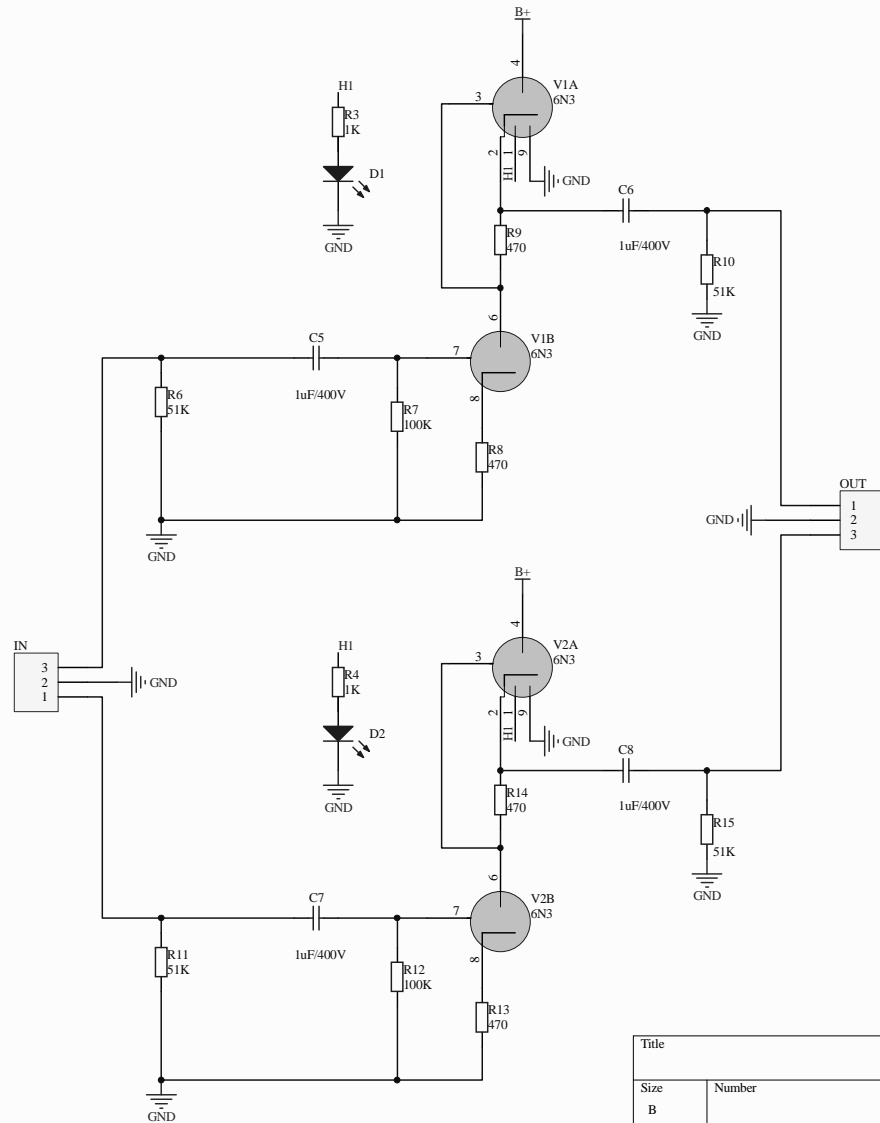
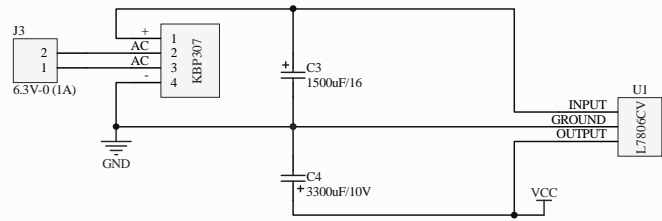
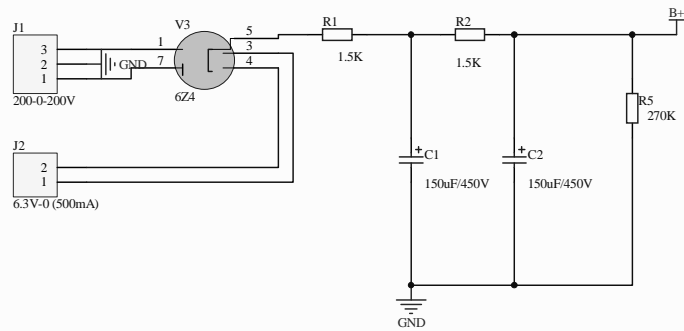


6N3 SRPP PRE-AMPLIFIER

Analog Metric



| Title | | |
|-------|---------------------------------|-----------|
| Size | Number | Revision |
| B | | |
| Date: | 8/6/2010 | Sheet of |
| File: | C:\AnalogMetric\6N3 SRPP.SchDoc | Drawn By: |