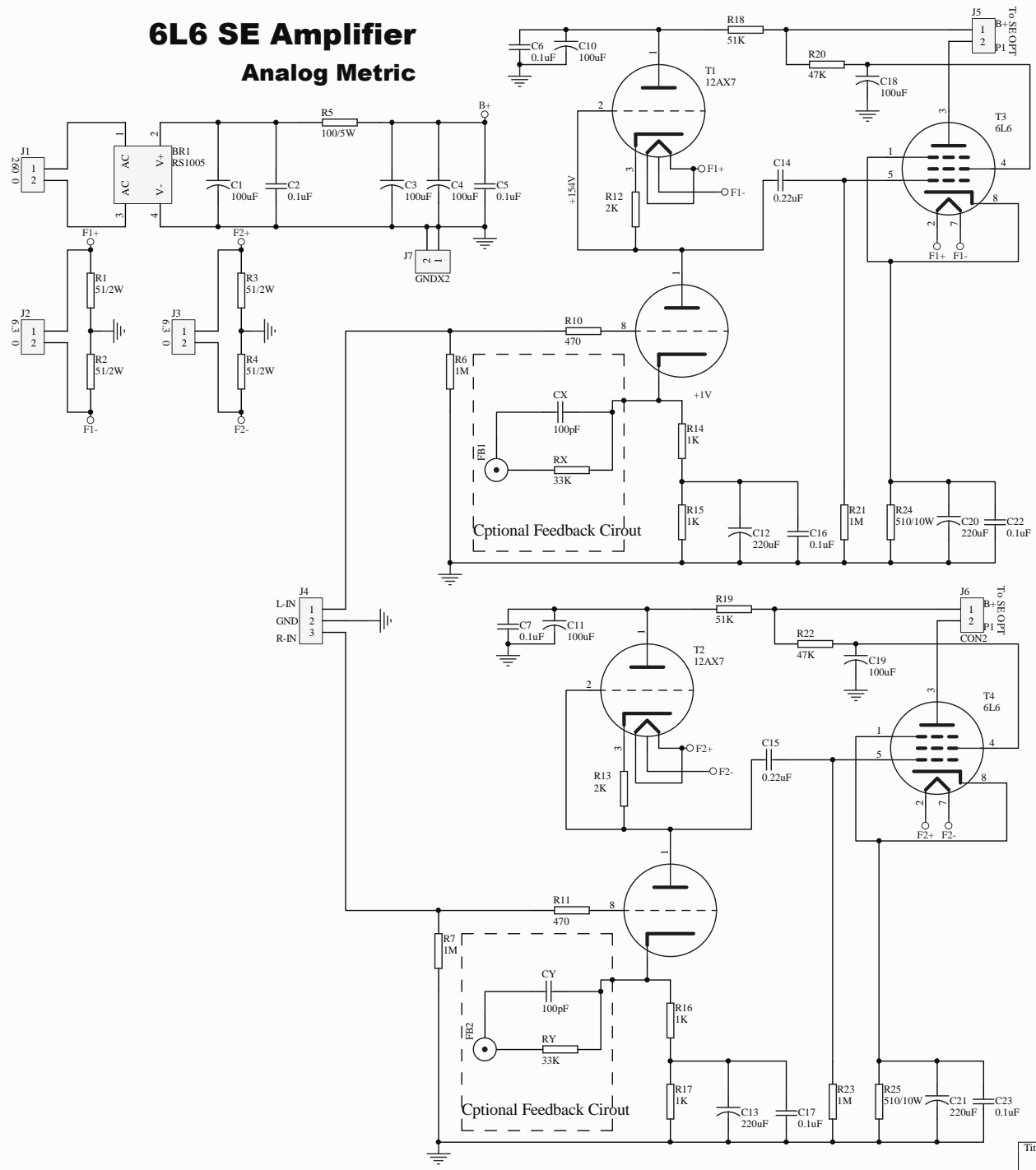


6L6 SE Amplifier

Analog Metric



Optional Feedback Circuit

Optional Feedback Circuit

Title		
Size	Number	Revision
A3		
Date:	21/6/2011	Sheet of
File:	C:\Users\...6L6 SE Amplifier Schematic.sch	