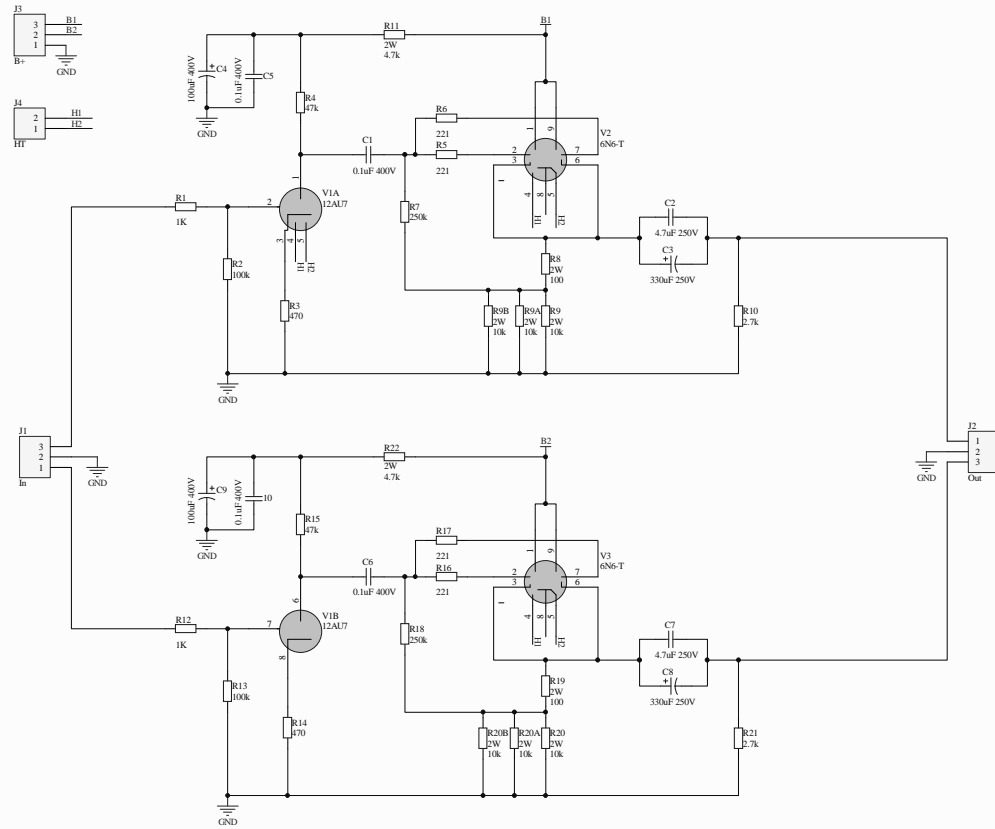


# 5687 Tube Pre-Amplifier

Analog Metric



Title		
Size	Number	Revision
C		
Date	3/4 2010	Sheet of
File	G:\Analog\Metric\JHA 6N6.SchDoc	Drawn By