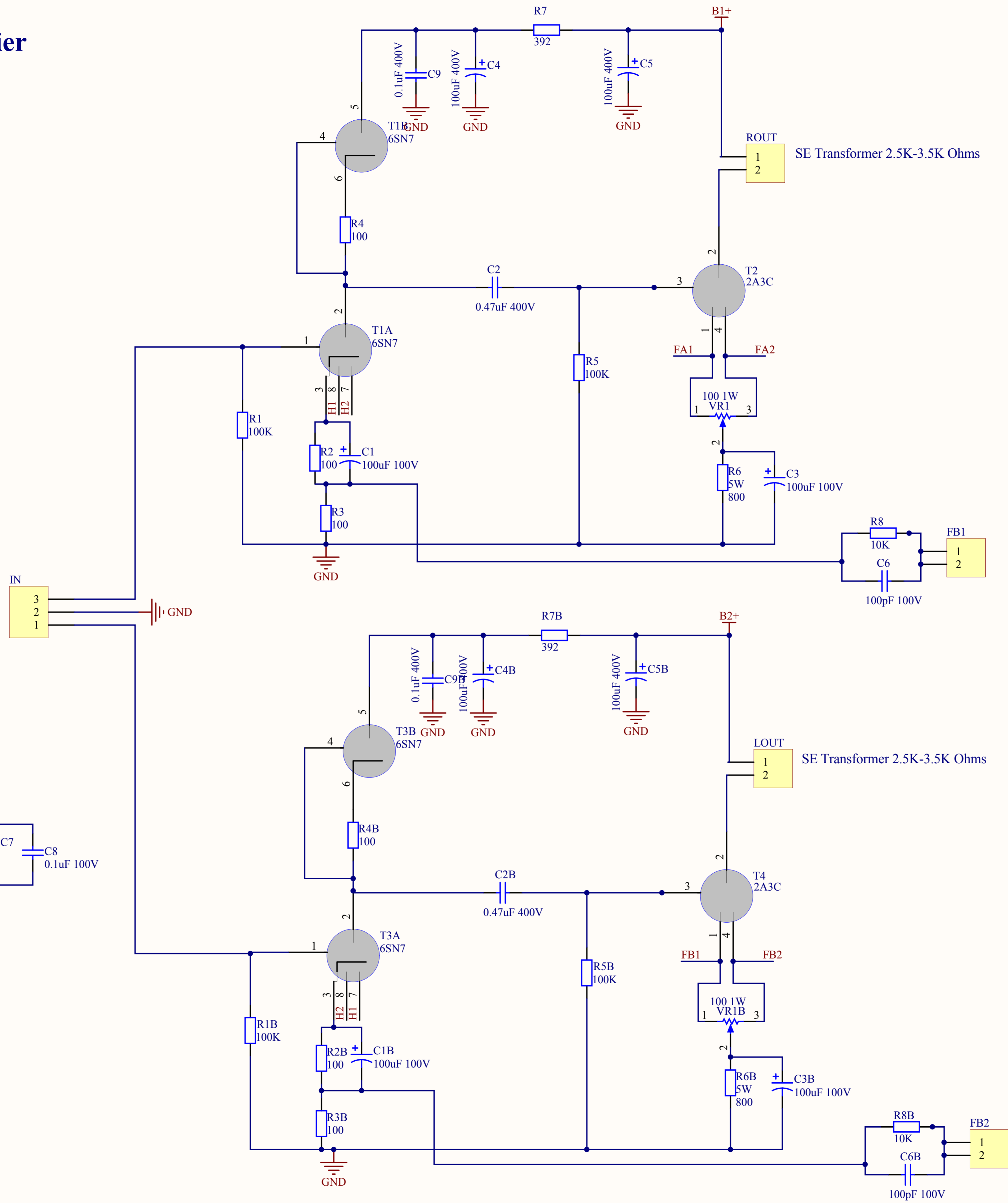
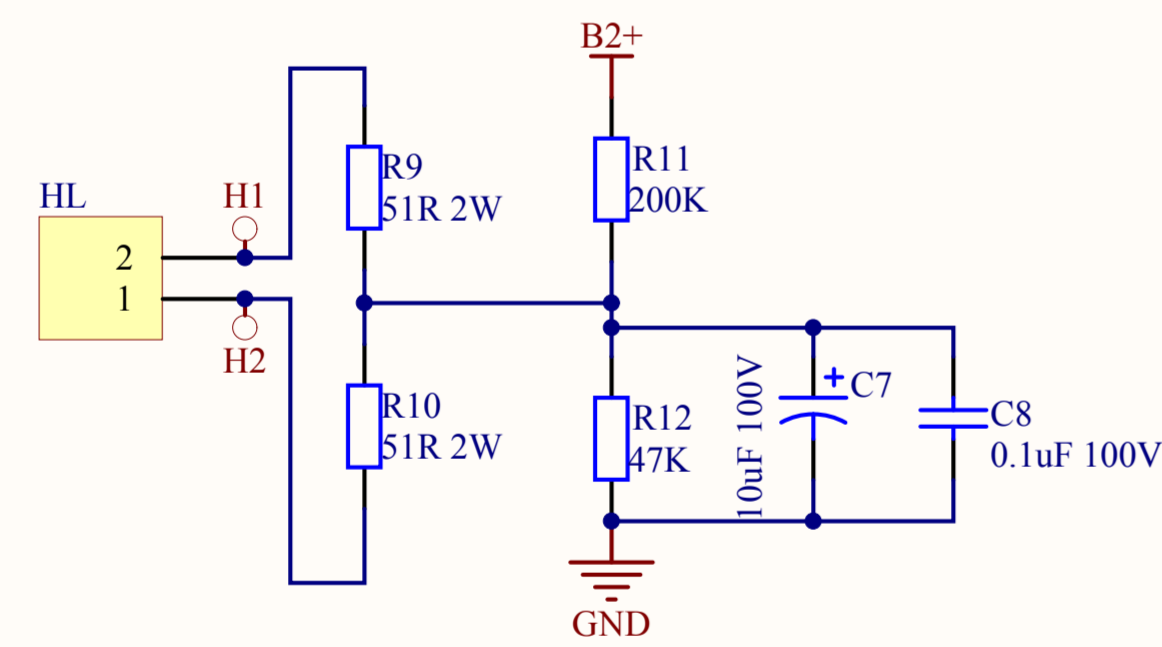
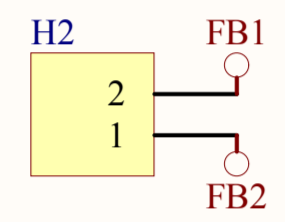
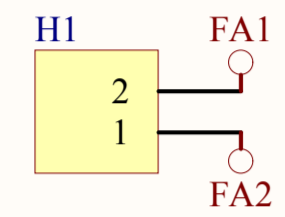
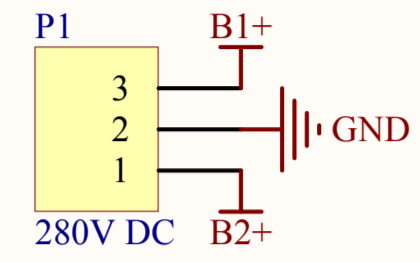


2A3 SE Valve Amplifier

Analog Metric



Title		
Size	Number	Revision
Orcad B		
Date:	6/20/2013	Sheet of
File:	C:\Users\...\2A3 SE.SchDoc	Drawn By: